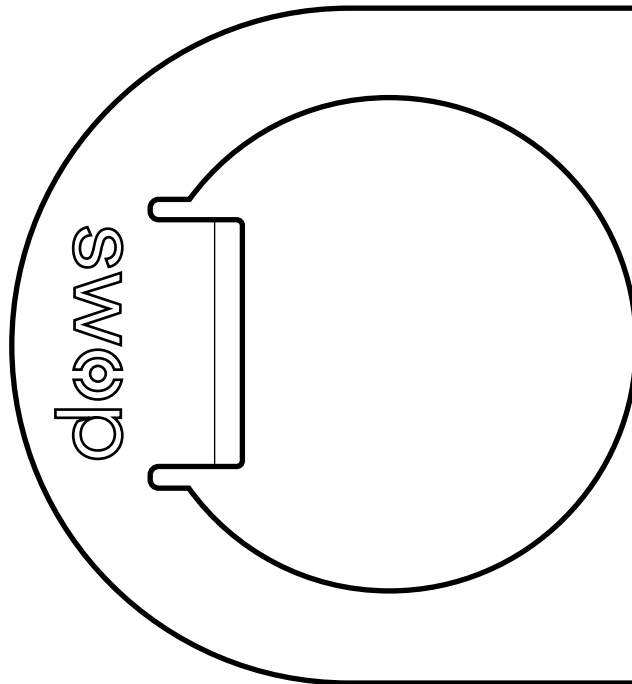


# Swop Physio

## Instruction Manual

Treatment Tables for Physiotherapy

SWOP2 - SWOP2L - SWOP2W - SWOP3 - SWOP5



## Instruction Manual

Treatment Table for Physiotherapy

### Table of contents

- ♥ 1. Introduction
- 📖 2. Use of the manual
- 🏆 3. Warranty
- 👥 4. Product Liability
- 👉 5. EC Declaration of conformity
- ⚠️ 6. Safety instructions
- 📐 7. Dimensions
- 👤 8. Features & Operation
  - Wheel Block/Unblock system
  - Lever to adjust the headrest
  - Breather hole and plug
  - Handlebar support
  - Hand controller
  - Twinlift©
  - Space Ball perimeter foot switch
  - Switches for lumbar flexion
  - Lever to adjust the backrest
  - Paper roll holder
  - Side widening supports
  - Safety lock
  - Interchangeable front panels
  - LED lighting & Cromo Mood
  - Bamboo sound system
- 🔧 9. Maintenance and cleaning
- ✖ 10. Troubleshooting and service
- 🛡️ 11. EMC Guidance



## 1. Introduction

CONGRATULATIONS! You took NAGGURA home!

Thank you for having acquired a NAGGURA product and for the trust shown in us.

We are sure that this medical examination table will turn into the pillar of your work and will more than fulfil your most demanding work requirements. NAGGURA's experts are in the lead of a project created with great devotion. Every single detail has been cared to join technology, performance and design altogether in a single table. Our aim is designing and manufacturing INTUITIVE, DYNAMIC and HIGH-TECH tables of a DARING and UNIQUE design.

Thanks for your choice and start enjoying the NAGGURA experience.

 naggura'



## 2. Use of the Manual

Before using the treatment table, please read the instruction manual carefully. It is important to keep this manual and store it in a safe place so that it can be consulted at any time.

By carefully following these instructions you will be able to avoid any problems in using the treatment table.

Some texts and/or illustrations may not belong to your Naggura table since they are general and it depends on your product choice at the purchase time.



## 3. Warranty

The warranty period is effective on the date of purchase of the treatment table for a period of two (2) years. It covers all the components of the treatment table under the normal and correct use. It also covers defects in workmanship from factory. The above-mentioned warranty does not cover defects or malfunction caused by:

- Misuse, abuse or improper maintenance of the table and its upholstery;
- Non-observance of the precautions and warnings stated in this instruction manual;
- Lack of maintenance or repair tasks carried out by non-qualified service personnel who are unauthorized by the manufacturer;
- Wrong and faulty electrical installations or which do not fulfil the legal requirements;
- Naggura company is not liable for incidental or consequential damage to property or business.



## 4. Product Liability

Under any circumstances, the producer shall be liable for any indirect, special, incidental or consequential damage incurred by the user, the patient or the table itself as a result of:

- a. A wrong diagnosis;
- b. Incorrect use of the table or any of its accessories;
- c. The wrong interpretation or non-observance of this user manual;
- d. A lack of maintenance of the table;
- e. Or maintenance works of the table and/or repairs performed by persons unauthorized to do so by the manufacturer.

According to the current legislation, the manufacturer cannot be held responsible for any flaws in the table or its components and accessories after a period of ten (10) years from the date on which the producer puts into circulation the actual product. Therefore, producer cannot be obliged to supply any spare parts or accessories for this table.

## Expected lifespan

Provided that the operator and user takes care of the table and undertakes regular maintenance tasks as described in section 9 of the current manual, the expected lifespan of the Naggura table can reach over 10 years from production date.

The intended use of the Treatment Table is to position a patient for the treatment. The unit is intended for use by qualified professional within a professional setting.



## 5. EC Declaration of conformity

Naggura products are produced and marked in conformity with the directives hereby stated :

Low voltage : 2014/35/CE

Electromagnetic compatibility : 2014/30/CE



These products are manufactured according to the essential requirements established in the European Medical Devices Directive (Annex II+III of Regulation (EU) 2017/745):

EN ISO 14971:2019; EN ISO 204117:2021; EN ISO 15223-1:2016; ISO 10993-1:2018; EN ISO 10993-5:2009; EN ISO 10993-10:2013; EN 60601-2-52:2010+AC:2011+A1:2015; EN 60601-1-2:2015+A1:2020; EN 60601-1:2006+A1:2013+AC:2014+A12:2014+A2:2020.

The Swop line has a guarantee of two (2) years in all parts. The manufacturer will not be held responsible for the results of maintenance or repairs performed by unauthorised persons. For further information on guarantee terms, please contact your distributor.



## 6. Safety instructions

### Responsibility of the owner

Naggura treatment tables are only meant to be used by professional personnel in physiotherapy, rehabilitation, examination, massage and aesthetics fields.

It is the responsibility of the owner to ensure that training is given to all operators and third parties (like for example cleaning personnel) on safe use of the treatment table, and that they have read and understood all the operating and safety instructions. Only trained operators may use the treatment bed. Please keep the manual in a place where it is easily accessible to all users, and make it an important part of your employee training program.

### Safety on installation and electricity

- Place the table in a space with free access from the 4 sides. Do not place the table against the wall or against any obstacles.
- Do not use the table in a high-humidity environment or in so-called "wet rooms" (hydrotherapy spaces). Any prolonged exposure to high moisture conditions may affect the electrical components and may result in failure.
- Check the technical data and electrical parameters to ensure that the supply voltage meets the technical specifications of the table. If not, contact your supplier before connecting the device.
- Make sure that the unit is correctly plugged into an earth intake, following the local and national requirements and standards.
- Make sure that the power cable is correctly and safely placed in such a way that it cannot get trapped between any mechanism.
- Pay special attention that the supply cable does not get pinched under the feet of the table, (e.g. after having moved the table on its wheels).
- If the table accidentally gets wet, unplug it immediately.
- Do not leave children unattended near the table.
- Unless being monitored or instructed by personnel who can be responsible for their personal safety, the people who have physical obstacles, tactile disorders, mental disorders, lack of experience, common sense or children, are not allowed to use the equipment.
- Do not use the device near electromagnetic transmitters. Read and follow all the information about electromagnetic compatibility (EMC) in page 19.
- If the power cord or plug is damaged, please contact the distributor, service center or experienced technicians for repairing.
- Please pay attention that the continuous working times should be "Max.2Min. ON; 18Min. OFF", when operating the motor.



## Safety instructions

### Safety during treatments

- Don't let anybody, except the operator and the patient, in the treatment room.
- The table is not intended to transport patients. Therefore it cannot be used for this purpose.
- Do not sit on the head section or end of the leg section of the table. The head section and armrests are not suitable to sit on.
- Patients are not to be left unattended,
- Never leave the table on its wheels during the treatment.
- Do not exceed the maximum load capacity of the table.
- Place the table on a stable and horizontal surface. Level it if necessary with the levelling feet under the table.
- Guide the backrest section with the other hand when adjusting the backrest by gas levers.
- Ensure that neither the patient nor the operator can get any part of the body or clothes trapped between the moving parts of the mechanism when the table is being raised or lowered.

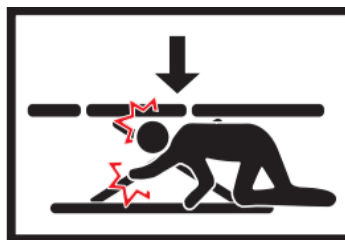


### Safety before or after the treatment

- Do not leave anybody unattended alone near the table.
- Disconnect the table if not used for a long period of time.

### Safety when cleaning the bed or the therapy room

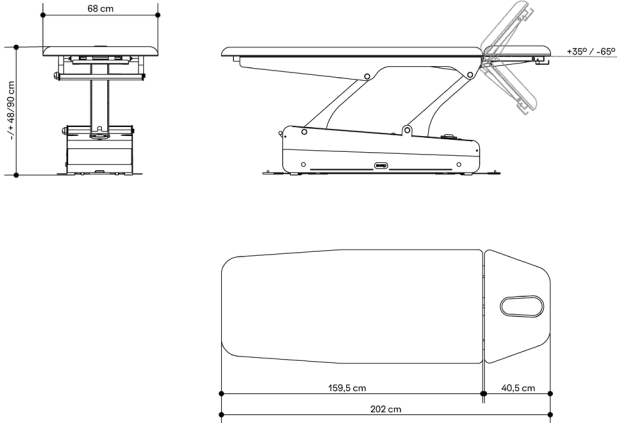
- Disconnect the table from the power supply.
- Do not get under the table or between its moving parts.



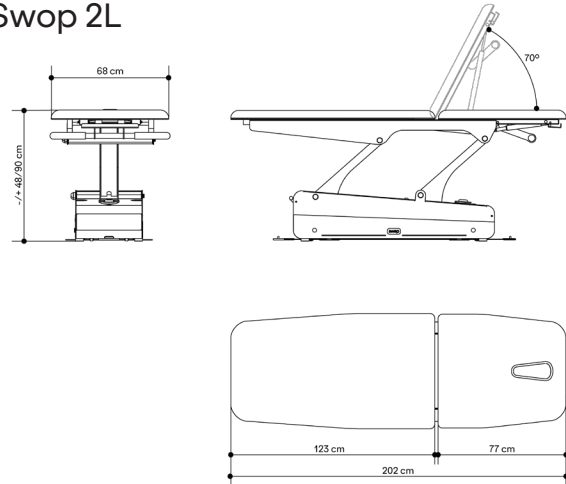


## 7. Product dimensions

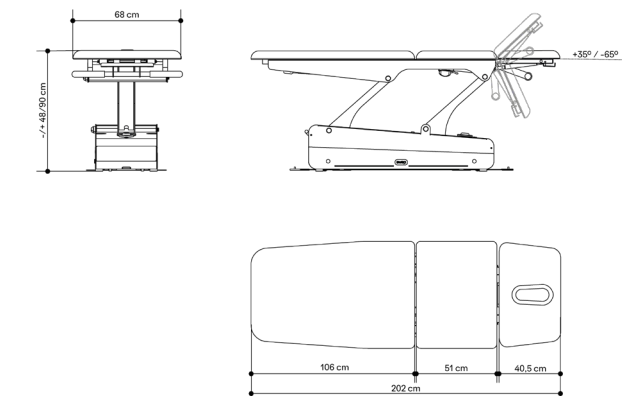
### Swop 2



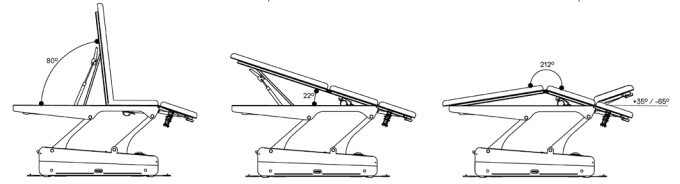
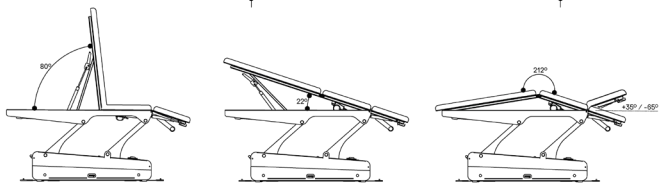
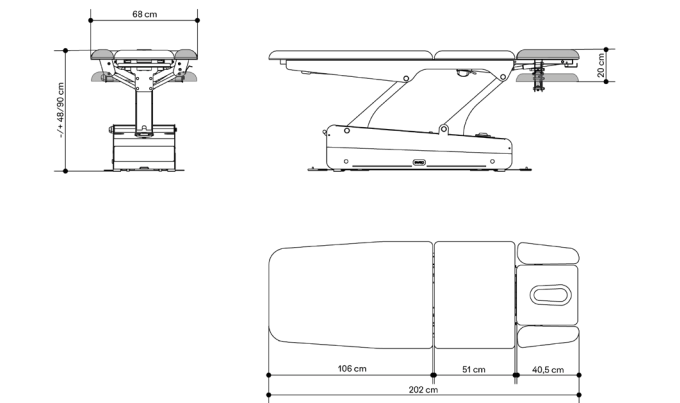
### Swop 2L



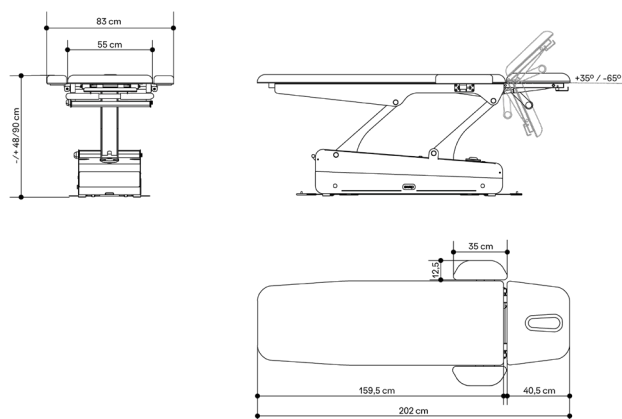
### Swop 3



### Swop 5



### Swop 2W

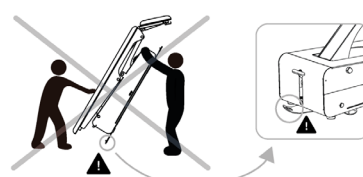
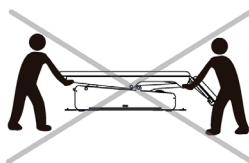




## Handling and transport

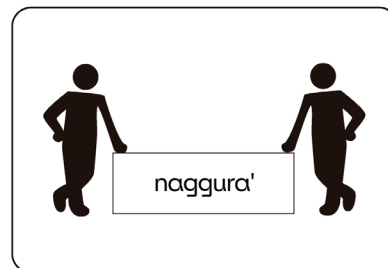
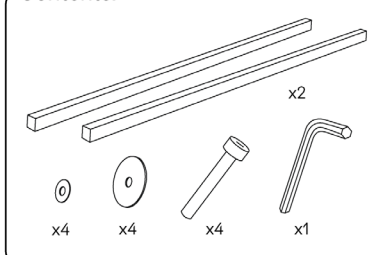
### **!** IMPORTANT

In order to move the treatment table safely, and not to damage the perimeter foot switch SpaceBall, please make sure to follow these instructions.

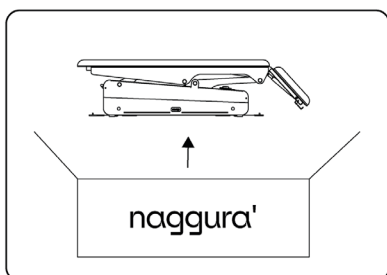


Scan to watch the video tutorial

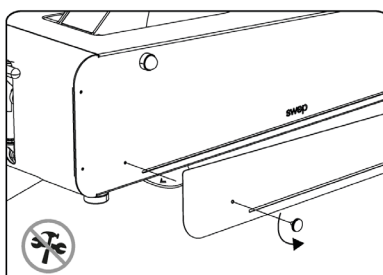
Contents:



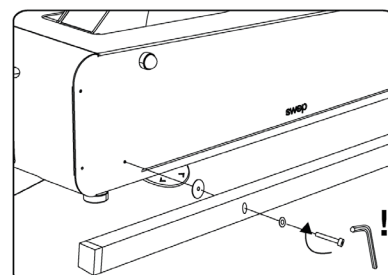
① 2 people needed.



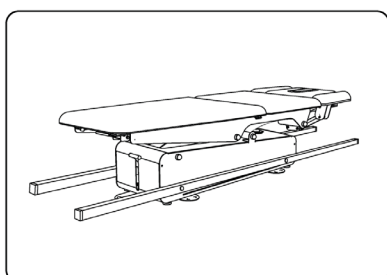
② Box contents: treatment table, 2 metal bars and assembly tools.



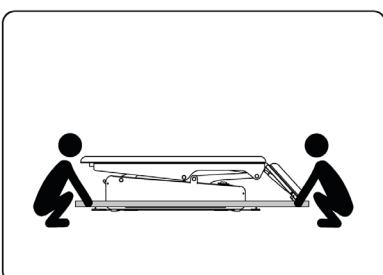
③ Remove both panels.



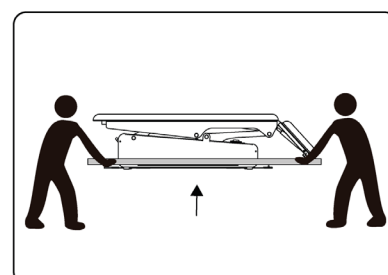
④ Screw the bars to both sides of the table. Put a washer between the table and the bars, and another with the screw, and securely tighten them with the Allen key.



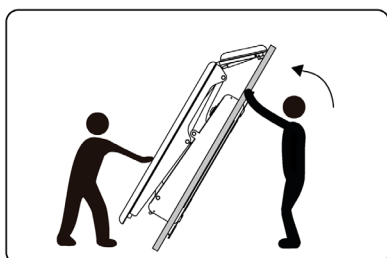
⑤ Make sure the bars are screwed tightly before lifting the table! **!**



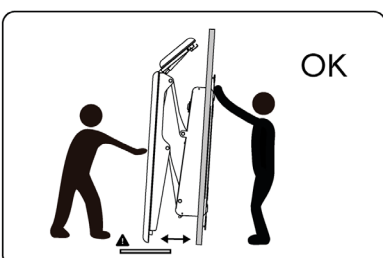
⑥ Pick up the bed using the bars.



⑥ Pick up the bed using the bars.

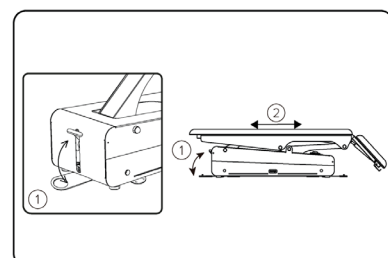


⑦ To place it vertically, 2 people should turn it up carefully, making sure the table doesn't open.



⑧ Separate a little the upholstery from the base using the bars and the end part of the table to place it vertically.

**!** Put a cloth or towel on the floor to protect the upholstery!



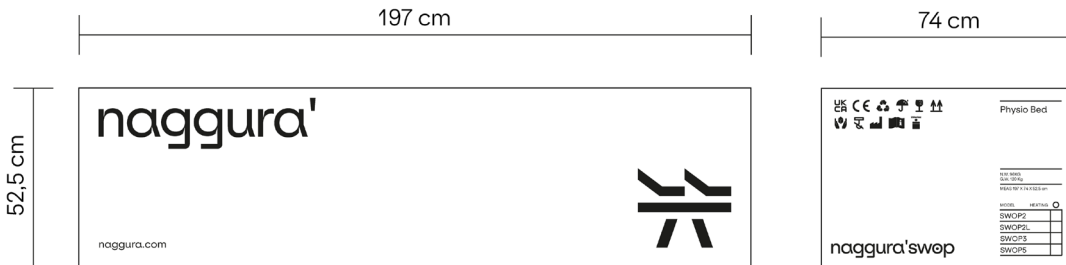
⑨ Once the bed is at the desired location, use the wheels to move it. Remove the bars and place the panels again.



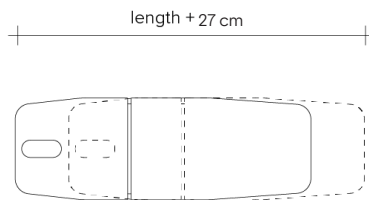


## Product dimensions

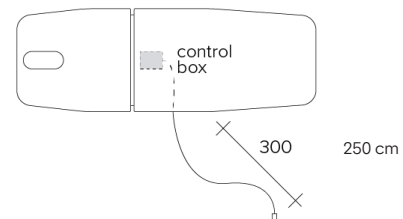
### Package dimensions (cm)



### Lateral displacement (cm)



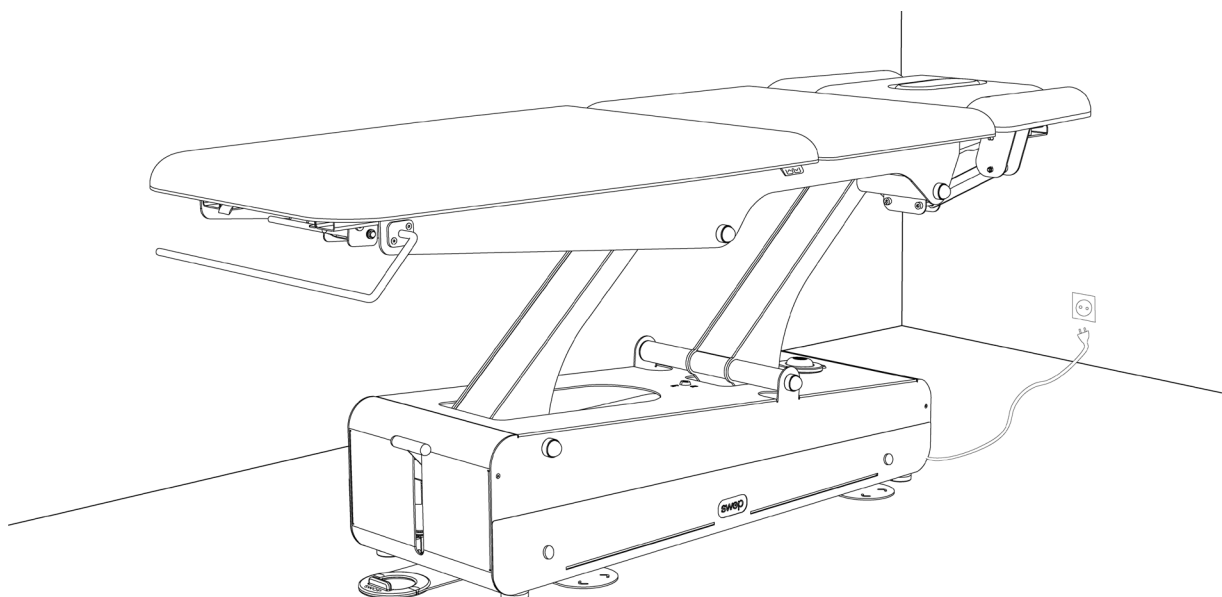
### Power cord length(cm)



## 8. Operation

### Power input

Voltage and frequency input shall be 220-240V, 50/60Hz. Plug the table cable into the socket as shown below:

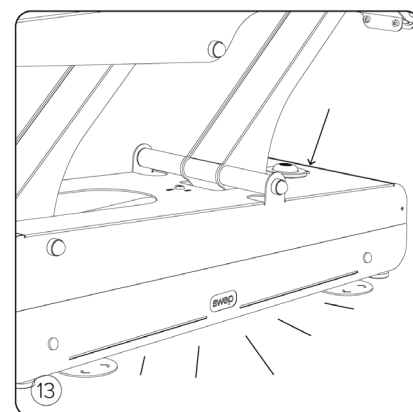
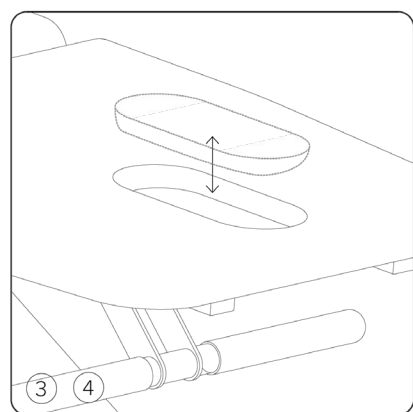
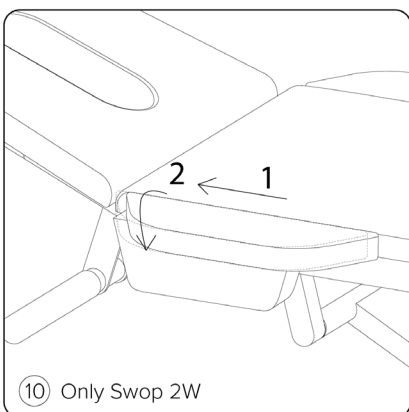
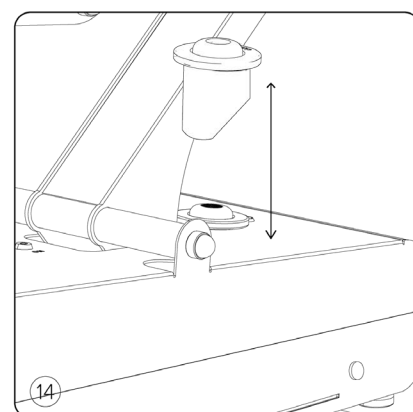
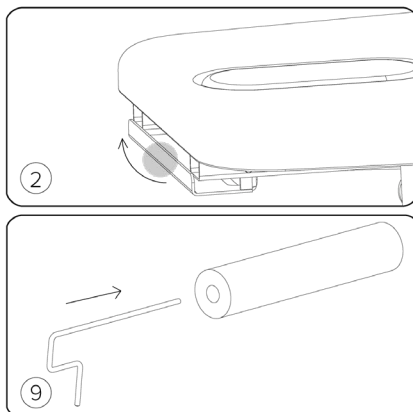
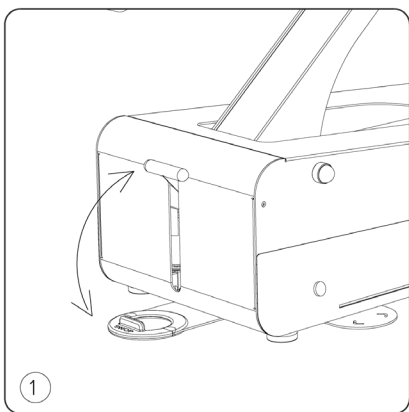
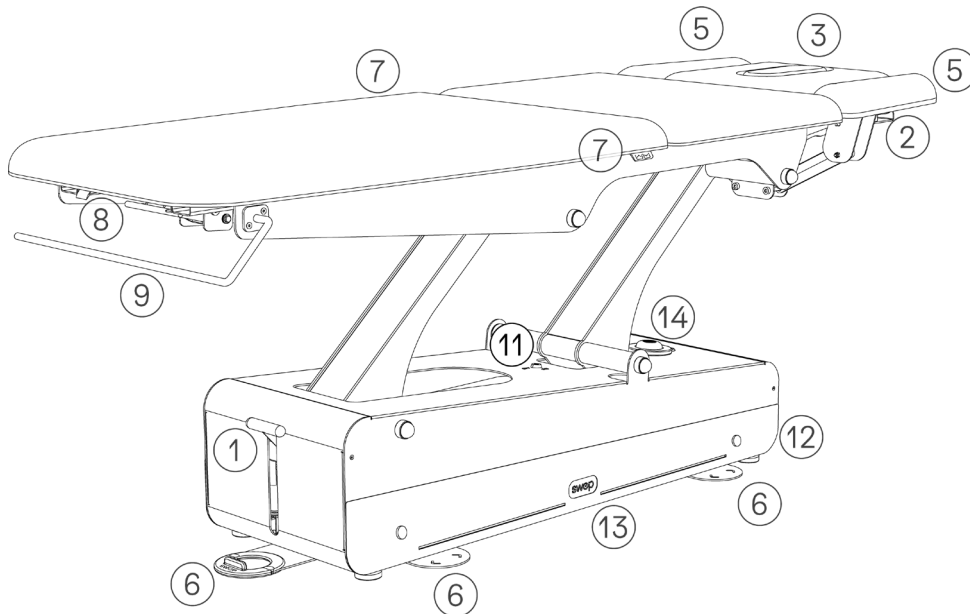




## Operation of Swop Physio

- 1. Wheel block/unblock system
- 2. Lever to adjust the headrest
- 3. Breather hole and plug
- 4. Handlebar support
- 5. Twinlift©
- 6. Space Ball perimeter foot switch
- 7. Switches for lumbar flexion
- 8. Lever to adjust the backrest
- 9. Paper roll holder
- 10. Side widening supports
- 11. Safety lock
- 12. Interchangeable front panels
- 13. LED lighting & Cromo Mood
- 14. Bamboo sound system

Optional





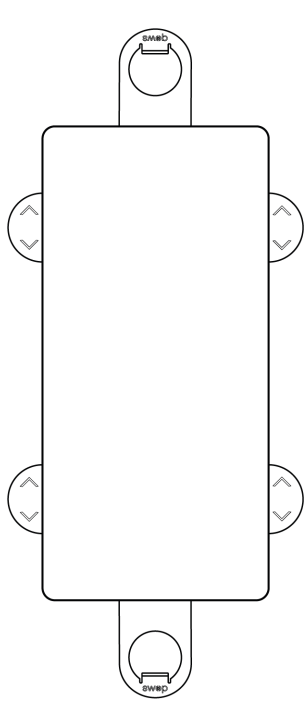
## Operation

### Space Ball perimeter foot switch ⑥

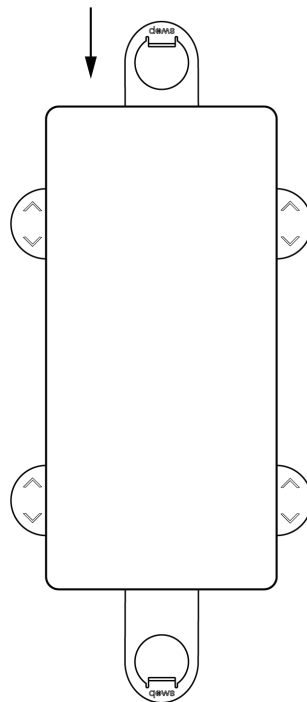
The height of the SWOP physio tables is adjusted from 6 different points located around the base of the table, at floor level. Two semicircles are placed on each long side of the table; one is placed at the front side (head section) and the other at the end side (foot section). All this activating points are part of the same platform located under the table base.

The Space Ball perimeter switch works as follows: if the therapist is located in one side of the table, pull or push the activating point towards the left or right direction to move the table up and down. When the therapist is located in the head or legrest sections push the mechanism forwards or backwards to move it up and down.

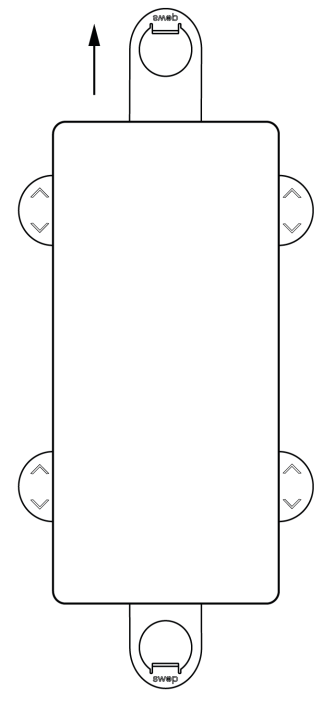
The Space Ball foot switch is activated by pulling, pushing or pressing the activating points shown in picture below.



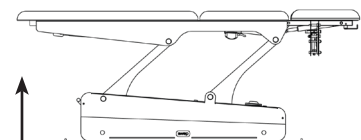
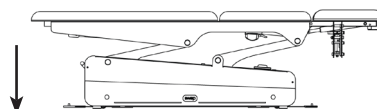
NEUTRAL



PULL FORWARD / INWARD



PULL BACKWARD / OUTWARD





## Operation

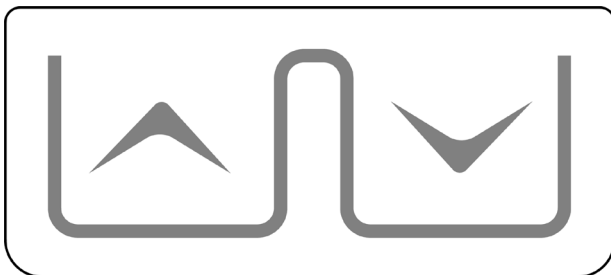
## Specifications

Product size	202 (+/- 27 cm with movement) x 68 x 48 / 90 cm
Package size	197 x 74 x 52,5 cm
Highest position	90 cm
Lowest position	48 cm
Net weight	96-102 Kg
Gross weight	110-122 Kg
Power	AC 220 - 240V, 50/60Hz
Max power	300W
Environment temperature	0°C - +40°C
Relative humidity	30% - 90%
Loading capacity	200 Kg

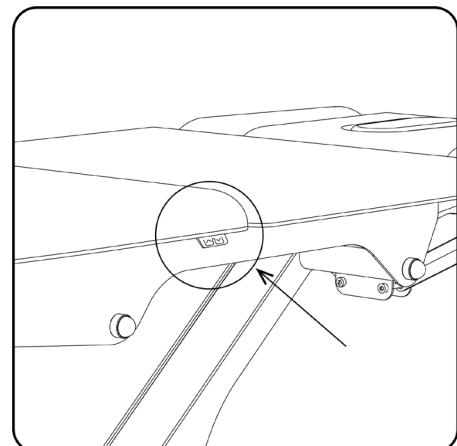
## Switches for lumbar flexion

7

If your Swop is a 2-engine table (Swop3 and Swop5), the middle section (lumbar flexion) is adjusted by the push button box placed at both sides of the table. If a handcontroller is included, the motors can also be adjusted by the buttons on the handcontroller.



SWOP3 and SWOP5 button panel for controlling middle section engine.

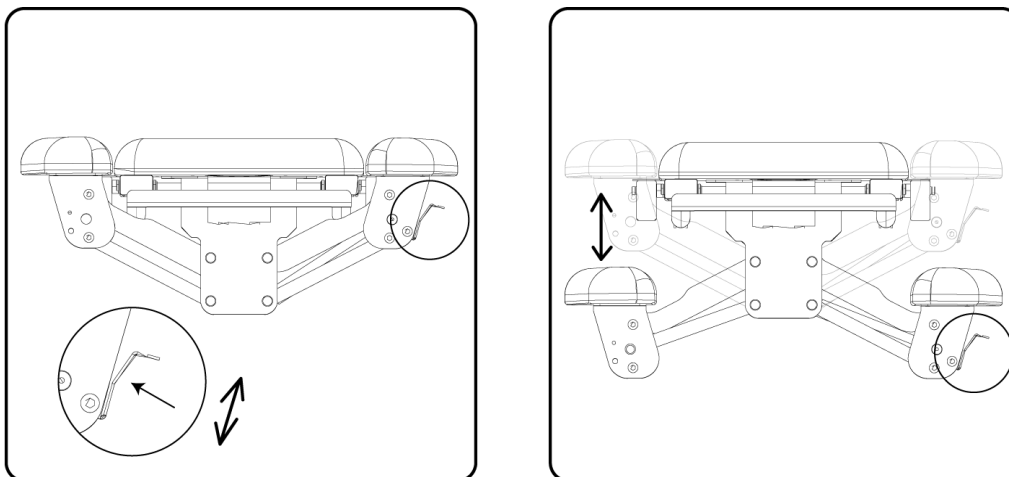




## Operation

### Twinlift Armrests ⑤

SWOP5 is equipped with a head section with built-in arm supports. You can adjust them as it is shown in the pictures below. Press the lever on the side and bring the arm rests up and down to the desired position. They will move at the same time effortlessly. The patients can adjust them by themselves.

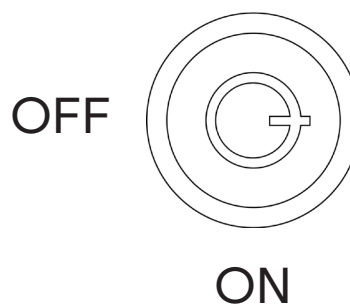


### Safety lock ⑪

The table can be locked or unlocked using the key on the base. If the key is switched to ON-position, the table and all its functions are unlocked and ready to use.

If the key is in OFF-position (horizontal position), the table is locked and all the electrical systems are disabled.

The safety-key can only be removed when the safety lock is in OFF-position.



### Integrated safety system

All SWOP physio models are fitted with a motor with an automatic clutch system. In case somebody or something gets stuck between the upper and lower frame of the bed (when the bed moves downwards), the motor clutch will make sure that the motor stops pulling downwards. Only the "passive weight" of the bed will impact the object and there will be no additional pulling force of the motor.

**Important:** in case somebody or something gets stuck, make sure that 2 persons lift up the upper frame of the bed to release the object. After the object is fully released and safe, gently release the upper frame until the bed is in its lowest position.



## Operation



### Interchangeable Front Panels

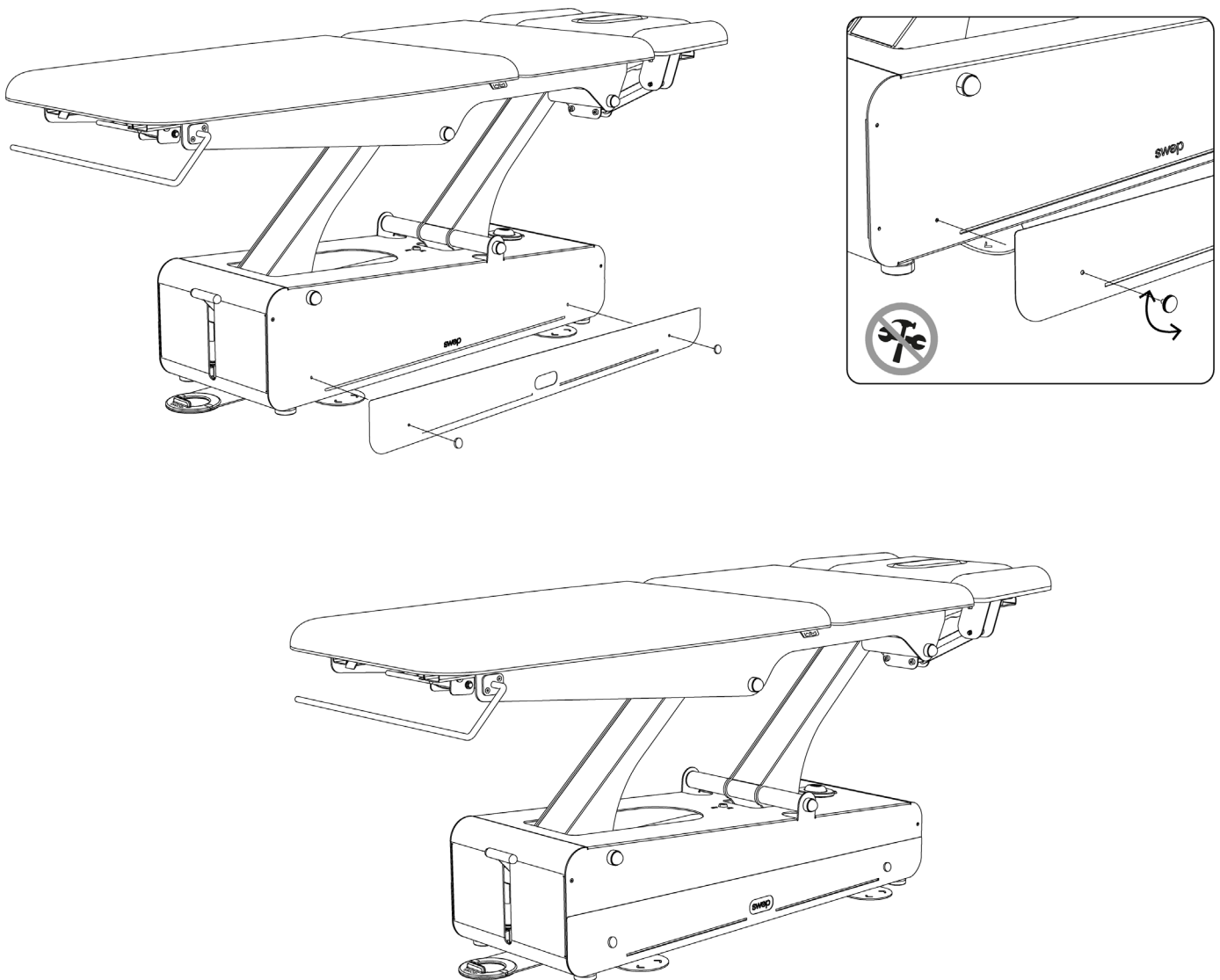
(12)

The Swop treatment tables highlights by a very special feature: the front exchangeable panels. There are lot of different possibilities to dress your table up. Get a new table in a matter of seconds and according to your taste, the interior design of your centre, your mood or however you feel today!

The exchangeable panels are 2 units: one for one side of the table base and the other for its opposite.

The available panels are made of different materials (metal, wood and pmma) and multiple colours. You can visit our website to discover the full range of possibilities.

Changing the panels is so easy! Simply unscrew the 2 screws that subject the panel with your fingers (no tools required). Remove the current panel to place a different one.





## Operation

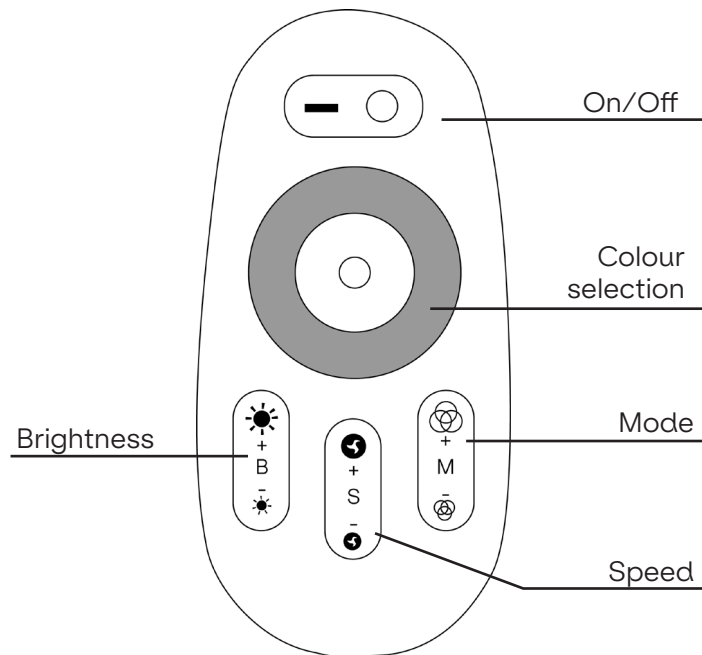
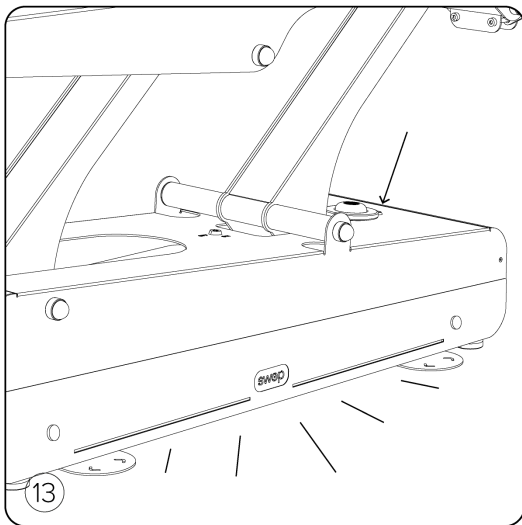
### LED lighting / Cromo Mood

13

As standard feature placed at both sides of the base, the Swop table has a white LED lighting. A line that underlines the table and shows the Swop display name. To turn the light on, press the button on top of the base frame.

As an option the Cromo Mood System with multicolour led lighting can be chosen. This option has to be installed at the purchase time and it cannot be added afterwards.

If the Cromo Mood is installed, an additional hand controller is provided to select your beloved colour, to adjust the intensity of light or to change the lighting mode.



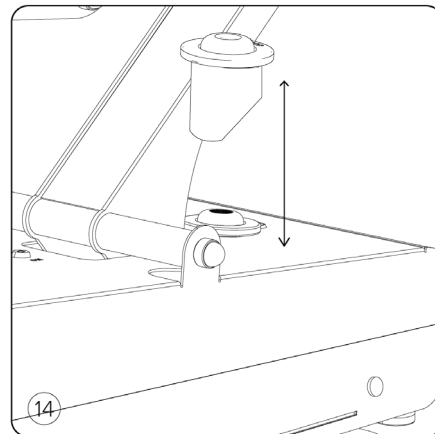
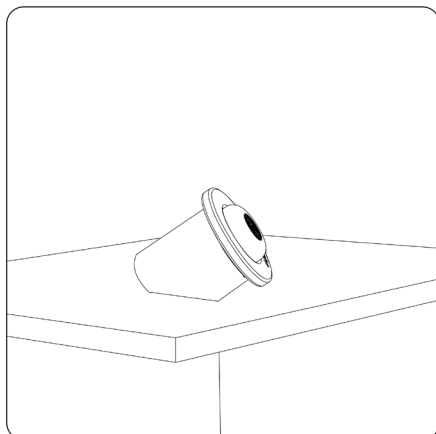
### Bamboo Sound System

14

If you purchased the Bamboo Sound System, your Swop table arrives with an awesome Bluetooth speaker: we call it the Bamboo Sound System.

The speaker is lodged inside a bamboo case with bevelled base. You can place the speaker on the table housing designed for this purpose or take it off and place it on your working table. Thanks to its inclined base you can direct the sound wherever you want to.

The Bluetooth speaker has a USB charger and additional instructions. Please read them carefully.





## 9. Maintenance and cleaning

### Cleaning the chassis and metal frame:

Clean the table with a clean, soft and dry cloth.

For persisting stains, use a white cloth, damp it with clear water and a domestic household cleaner FREE of alcohol.

### Cleaning the cushions:

The Naggura tables have a high quality Spradling vinyl protected by Permablok, against stains and abrasion.

The vinyl should be cleaned periodically in order to maintain its appearance and prevent build-up of dirt and contaminants. Any stains should be removed immediately.

#### - Cleaning after each patient:

If disinfection after each patient is required, use one of the products "list of disinfectants". In case of spilling massage oil, remove it with a PH-neutral soap immediately (1:9 liquid soap, neutral PH and water). Always remove residu with clean water after cleaning with soap.

#### - Cleaning at te end of each day:

In order to prevent the build-up of contaminants and grease, it is important that the surface is cleaned every day. Clean the entire surface using a mixture of 1:9 liquid soap (neutral PH) and water. Do not use soap or cleaning solutions that contain alcohol, ketones, xylene, acetates or solvents. Always remove residu with clean water after cleaning with soap.

#### - Cleaning each month or in case of stains:

Use the original Naggura Cuirnet high-performance cleaner in a dilution of 1:9 Cuirnet and water. If the stain cannot be removed, the cuirnet cleaner maybe be used undiluted.

- After the cleaning, always rinse with clear water and dry.

- NEVER use the Naggura Cuirnet cleaner for the metal frame of the table.

## Maintenance

Naggura tables have been designed for an intensive use during long time thanks to its stability, reliability and durability. However, we advise to keep the table in perfect conditions and make a correct use of it. Unplug the table if you will not use it for a long period of time.

## Environment information

If this symbol appears on electrical products or on its packaging, this means that they must be recycled properly. Please ensure that you are well informed of the local rules and regulations regarding to the removal of equipment and accessories.





## 10. Troubleshooting and service

Only a technician authorized by Naggura is allowed to perform any kind of repairs on the bed.

None of the parts inside the device may be replaced by the user. If your technical staff is allowed by Naggura to repair the bed, naggura can provide the necessary instructions and spare parts lists.

Please contact your local Naggura distributor for more information.

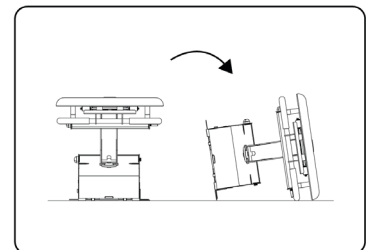
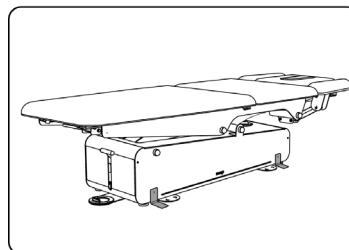
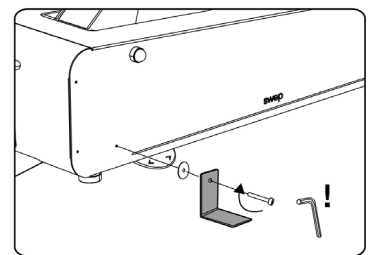
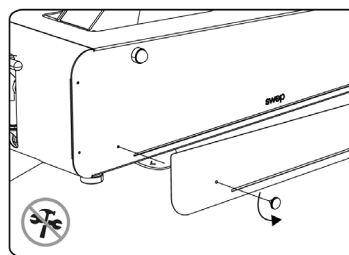
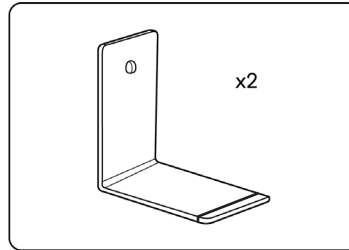
If you need to reach the electrical main components of the table to perform repairing tasks, the table must be leant laterally to let it resting on the floor. To do so, the operator has to install a protection kit to prevent the Space Ball mechanisms from being damaged. If not, the sphere metal mechanisms will bend.

First, install the set of 2 L-shaped plates as it is shown in the picture to turn the bed to one side without damaging the Space Ball perimeter switch.

Take the decorative panel in the base out and screw the L-shaped plates in the same threaded holes. Place a washer between the table frame and the L-shaped plate and screw it tightly with the Allen key provided. The mounting tools, screws and washers are provided by Naggura.

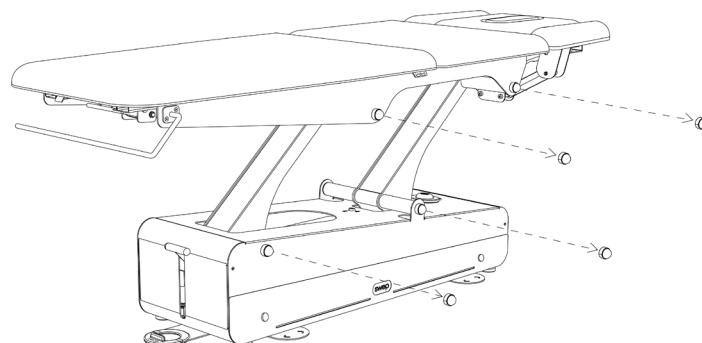
When both L-shaped plates are installed at each side, the table can be leant to the side safely. 2 people needed to tilt the table carefully.

In order to protect the upholstery, we recommend you to put a towel or a protective tarpaulin on the ground.



### Squeaking noise when moving the table up & down (mechanical noise)

- The axes are adjusted and greased from factory but with the time and use, they may need some little adjustment. Remove the grey plugs of the 2 connecting rods (4 at each side, so 8 in total). Loosen the axes a little bit by unscrewing them (approx. 2 turns). Apply a bit of neutral grease and plug them again.





## 10. Troubleshooting and service

### The backrest moves down alone

The supporting gas lifts are loose.

- In such a case, remove the gas lift from the lower part and loosen it (unscrew it) 2 turns and fix it again. Proceed the same way with the second gas lift.

### The back rest is blocked (it can't be lowered nor raised up)

The gas lift activating pin does not activate the lever. Remove the lower side of the gas lift and tighten it (screw it 2 turns until you see that the pin can activate the lever. Proceed the same operation with the second gas lift.







### The up and down motor does not work

- Check if the power cable is disconnected, either from the wall socket or the control box.
- Check the power cable for any damage.
- Check all the plugs and connections.
- There are 3 possible components that may be faulty: the Space Ball System, the control box or the motor itself. Contact your dealer to proceed accordingly.

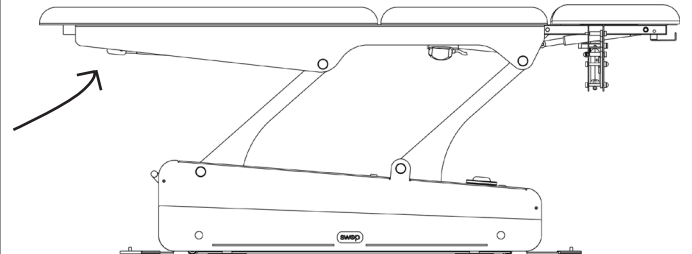
### Persisting problems

If the problem persists, contact your local distributor and provide the serial number and the model of the table, or a picture of the typeshield.

This can be found on the typeshield, located at the backside of the table, inside the top frame.

<b>MD</b>	<b>SWOP TREATMENT TABLE</b>	<b>CE</b>  
<b>REF</b> SWOPxxx		 Weelko Barcelona SL Camí de Garetà 92 08600 Berga, Spain
220-240V 50/60Hz 3.0A Power rating: 300w (Max) Duty Cycle 2min ON / 18min OFF	<b>EC REP</b> SUNGO Cert GmbH Harffstr. 47, 40591 Düsseldorf, Germany SRN: DE-AR-000010869	
 Foshan Huaduan Cosmetic Technology Company Limited Jianye 2nd road, Nanjin Cun, Shatou Industrial Area, Jiujiang Town, Nanhai District, Foshan City, Guangdong Province, China SRN: CN-MF-000018385	<b>SN</b>  bar code here BME xxxxxx	
 Manufacturing date: AAAA-MM		

↑  
Serial number





## 11. EMC Guidance

Guidance and Manufacturer's Declaration - Electromagnetic Emissions	
Emissions test	Compliance
RF emissions CISPR 11	Group 1
RF emissions CISPR 11	Class A
Harmonic emissions IEC 61000-3-2	Class A
Voltage fluctuations/flicker emissions IEC 61000-3-3	Complies

**Warning:** It is not safe to operate the device in the presence of HF surgical equipment or places where the intensity of EM disturbances is high.

**Warning:** Use of this equipment adjacent to or stacked with other equipment should be avoided because it could result in improper operation. If such use is necessary, this device and other equipment should be observed to verify that they are operating normally.

**Warning:** Use only accessories and cables provided by the manufacturer. Accessories and cables not recommended may affect the EM emissions or immunity.

**Warning:** Maintain minimum distance of 12 inches (30 cm) between any part of the working table and portable RF communication equipment (including peripherals such as antenna cables and external antennas.) Performance of the table might degrade if proper distance is not maintained.

Guidance and Manufacturer's Declaration - Electromagnetic Immunity		
Immunity Test	IEC 60601-1-2 Test level	Compliance level
Electrostatic discharge (ESD) IEC 61000-4-2	±8 kV contact ±2 kV, ±4 kV, ±kV, ±15 kV air	±8 kV contact ±2 kV, ±4 kV, ±kV, ±15 kV air
Electrical fast transient /burst IEC 61000-4-4	±2 kV for power supply lines ±1 kV for input/output lines	±2 kV for power supply lines ±1 kV for input/output lines
Surge IEC61000-4-5	±1 kV line(s) to line(s) ±2 kV line(s) to earth	±1 kV line(s) to line(s) ±2 kV line(s) to earth
Voltage dips, short interruptions and voltage variations on power supply input lines IEC 61000-4-11	0% U; 0.5 cycle T at 0°, 45°,90°, 135°, 180°, 225°, 270°, 315° 0% UT; 1 cycle 70% UT; 25/30 cycle 0% U; 250/300 cycle	0% U; 0.5 cycle T at 0°, 45°,90°, 135°, 180°, 225°, 270°, 315° 0% UT; 1 cycle 70% UT; 25/30 cycle 0% U; 250/300 cycle
Power frequency (50/60 Hz) Magnetic field IEC61000-4-8	30 A/m 50Hz/60Hz	30 A/m 50Hz/60Hz
Conducted RF IEC61000-4-6	3 V r.m.s. 150 kHz to 80 MHz 6 V RMS in the ISM bands between 0.15 MHz and 80 MHz	3 V r.m.s. 150 kHz to 80 MHz 6 V RMS in the ISM bands between 0.15 MHz and 80 MHz
Radiated RF IEC61000-4-3	3 V/m 80 MHz - 2,7 GHz 80% AM at 1 kHz	3 V/m 80 MHz - 2,7 GHz 80% AM at 1 kHz
NOTE: UT is the a.c. mains voltage prior to application of the test level.		

Test Specifications for enclosure port immunity to RF wireless communications equipment					
Immunity Test	IEC60601 test level				Compliance level
	Test frequency	Modulation	Maximum power	Immunity level	
Radiated RF IEC 61000-4-3	385 MHz	**Pulse Modulation: 18Hz	1.8W	27 V/m	27 V/m
	450 MHz	*FM+ 5Hz derivation: 1kHz sine	2W	28 V/m	28 V/m
	710 MHz 745 MHz 780 MHz	**Pulse Modulation: 217Hz	0.2W	9 V/m	9 V/m
	810 MHz 870 MHz 930 MHz	**Pulse Modulation: 18Hz	2W	28 V/m	28 V/m
	1720 MHz 1845 MHz 1970 MHz	**Pulse Modulation: 217Hz	2W	28 V/m	28 V/m
	2450 MHz	**Pulse Modulation: 217Hz	2W	28 V/m	28 V/m
	5240 MHz 5500 MHz 5785 MHz	**Pulse Modulation: 217Hz	0.2W	9 V/m	9 V/m
<p>Note* - As an alternative to FM modulation, 50% pulse modulation at 18 Hz may be used even if it does not represent actual modulation.</p> <p>Note** - The carrier shall be modulated using a 50% duty cycle square wave signal.</p>					



Our products are subject to continuous technical improvements. Naggura reserves the right to change or modify the product and contents without prior notice.

naggura'

Pol. Ind. La Valldan  
Camí de Garreta, 92  
08600 Berga  
Barcelona - Spain  
T. +34 93 824 90 20  
E. info@naggura.com